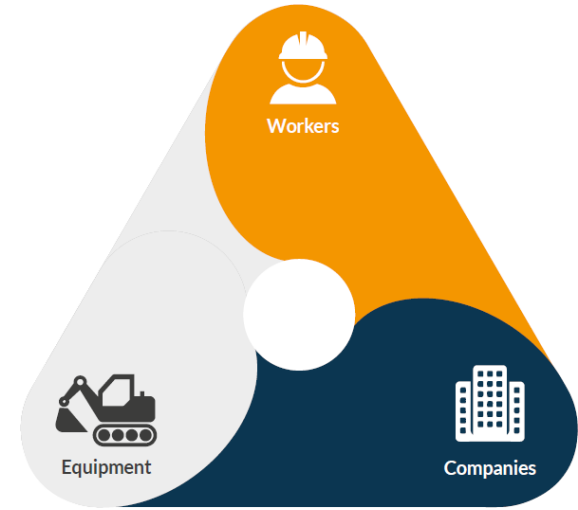


PegasusTM

Powered by Onsite



“Connecting a Competent Workforce”

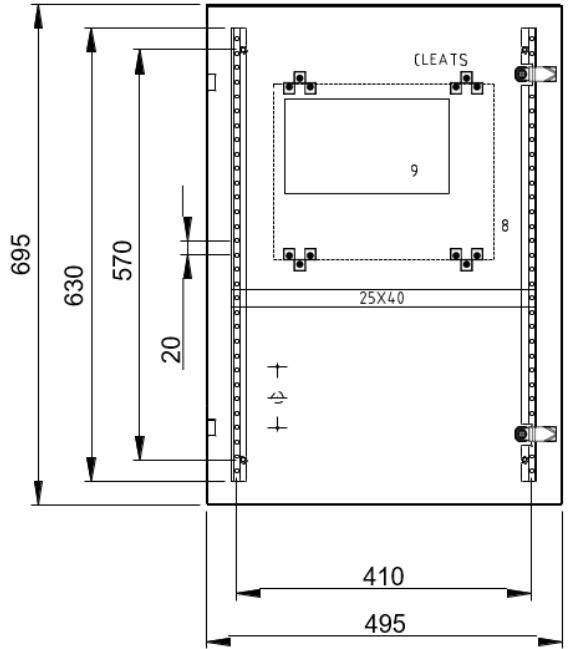
Wallmount Kiosk
Hardware Breakdown

Why use a Wallmount Kiosk?

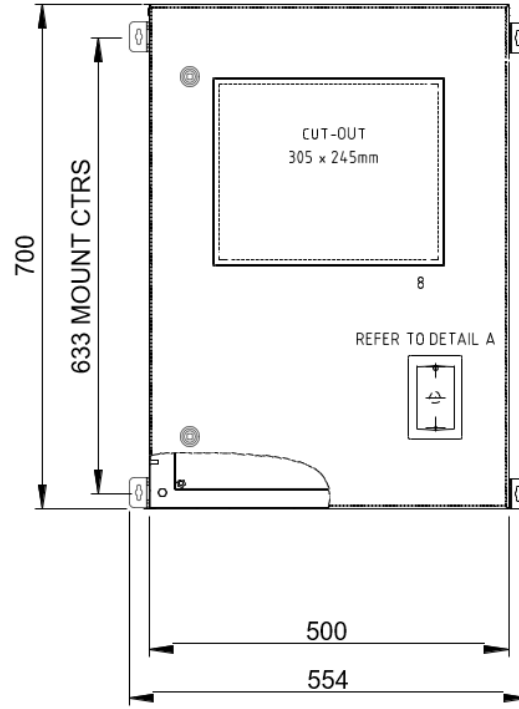


- Lockable and Sealed Box
- Weatherproof Seals – Reduce dust and Water Egress to Components
- Proximity Card Reader – Diagnostic LED with Audible Note Upon Reading
- Touchscreen with Controls Inside Case – Eliminate Possible Tampering
- Compatible with Alcolizer/Alcomeasure/Breathalyzer – Blood Alcohol Concentration Monitoring Device
- Mountable on Hard Surfaces or Walls
- No Printer – Streamlined Device for Fast Login/Logout Times

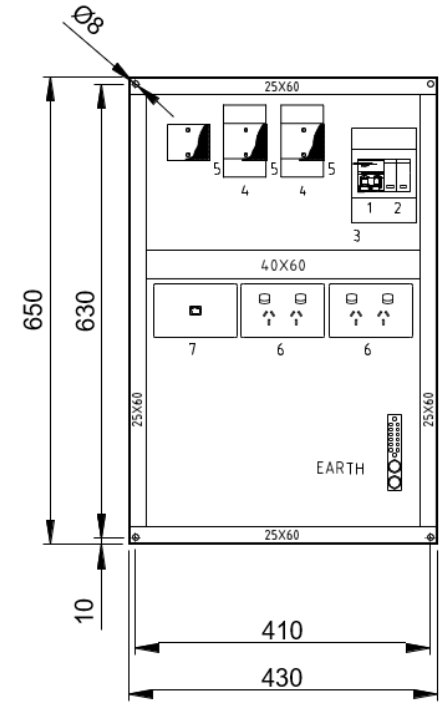
Dimensions



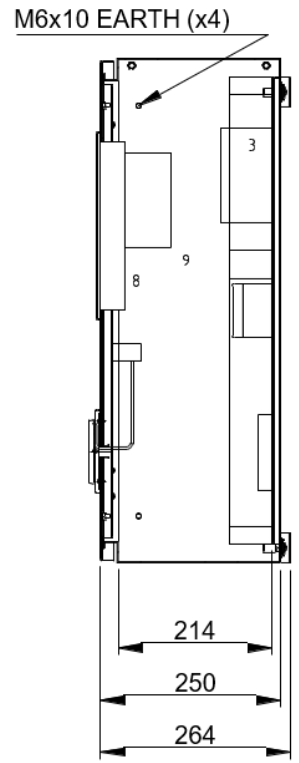
INSIDE DOOR VIEW



FRONT VIEW



MOUNTING PAN



SECTION

M6x10 EARTH (x4)

Wallmount Internal View



Designed for tough environments and minimal fuss.

A weather sealed unit stops dust and water egress while housing a organised internal layout for ease of upgrade or maintenance.

Small form touchscreen with controls inside lockable case, eliminates exposure to tampering.



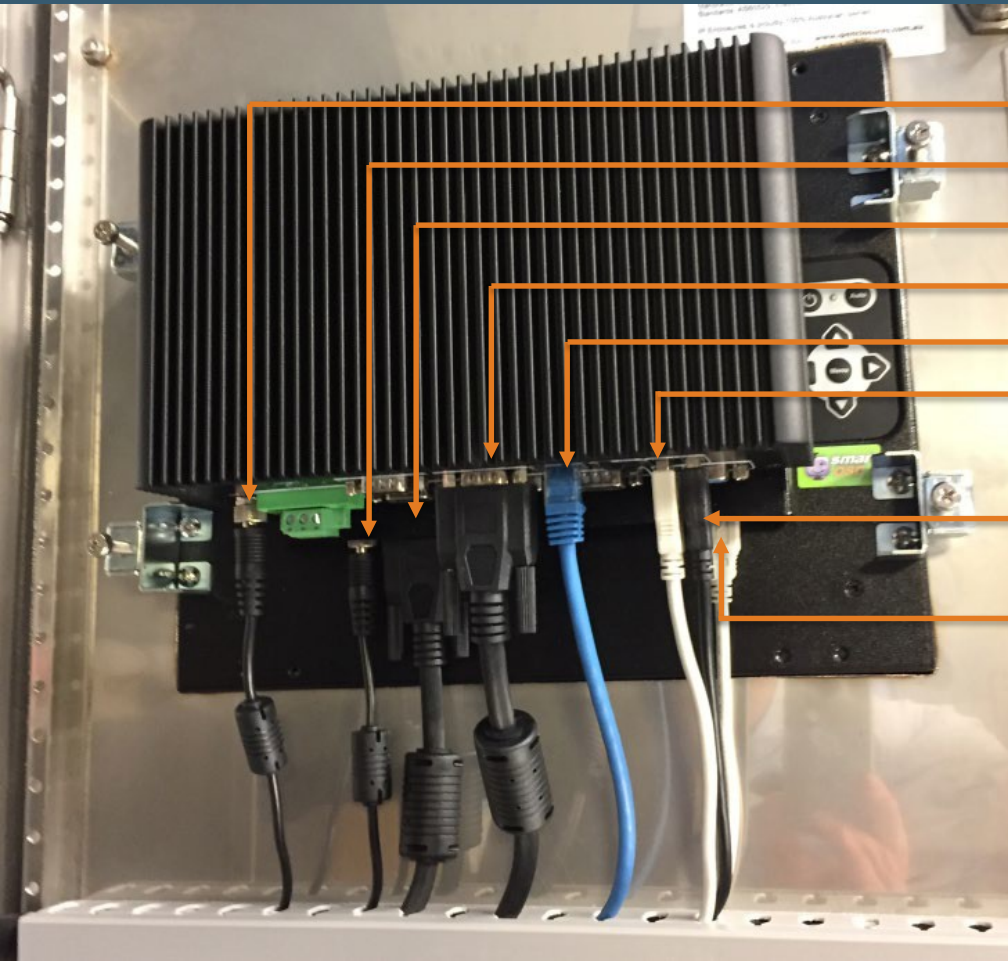
Internal Components



- Power Cable for Computer
- Power Cable for Touchscreen
- Network Cable Data Port
- Safety Switch
- Additional Power Points for Modem or Printer if Required.

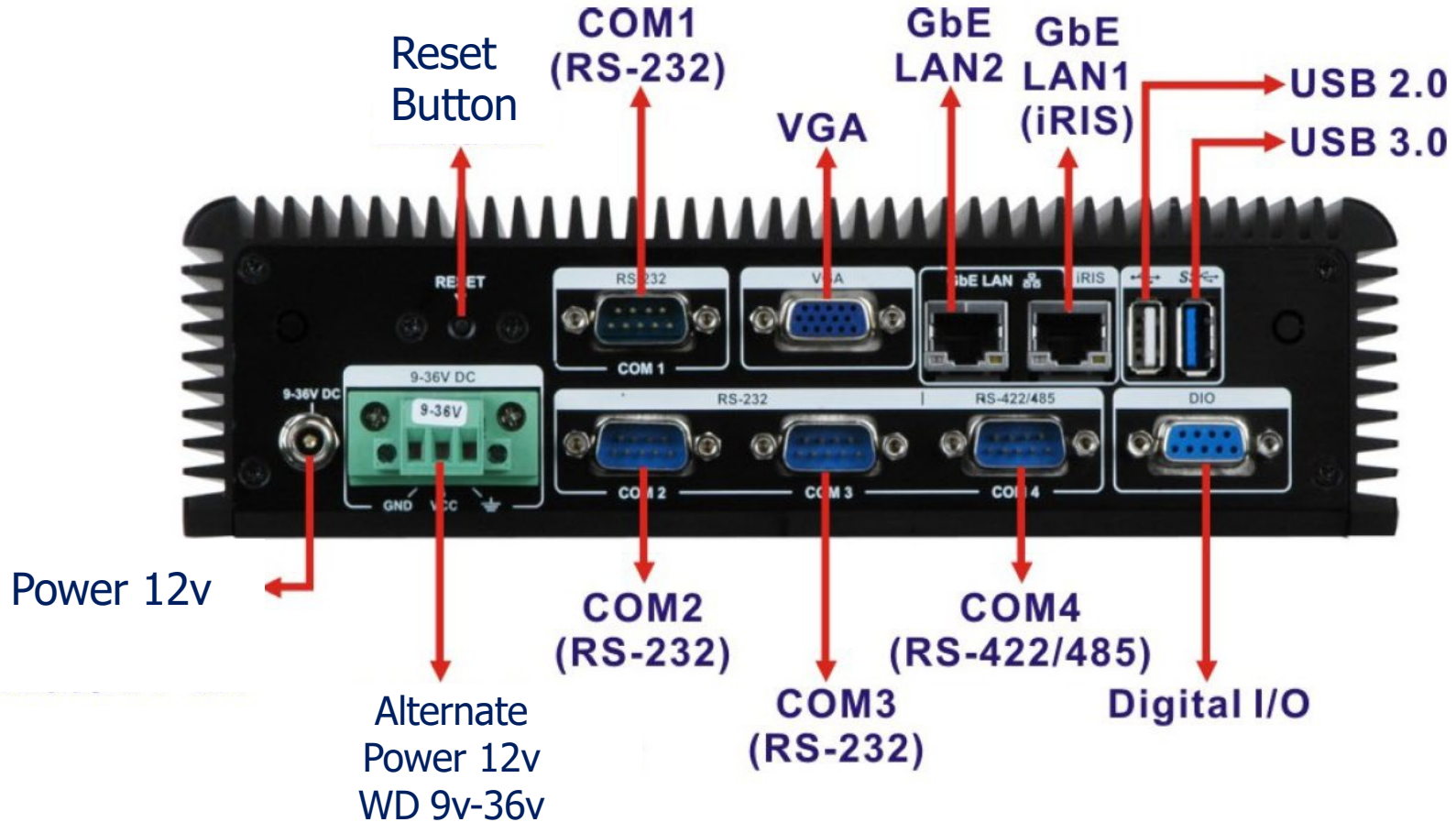


Internal Components



- Power Cable for Computer
- Power Cable for Touchscreen
- VGA Input for Screen
- VGA Output from Computer
- Network Cable into LAN2
- Touchscreen USB into Computer
- Proximity Card USB Cable
- Touchscreen USB from Screen

PC Components Detailed - Rear



PC Components Detailed - Front



Optional
USB Ports

Hard Drive
Activity Light

Power Button
LED Blue light
when on

Kiosk Troubleshooting Front Screen



PEGASUS RECEPTION (TABLET)

Pegasus
Powering Your World

WELCOME

Please sign in

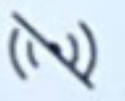


SIGN IN



SIGN OUT

- Get Kiosk Name for Support
- Check the Date and time are correct
- Check to see if Online Indicator has strikethrough it
- Offline looks like this



14 Dec 2018 4:34:48 PM

((=))

Kiosk Support Remote Tool



- On Support page, pressing Support ID will give the remote access ID number Pegasus requires to access the kiosk to troubleshoot.



Home Support

- Home button can be pressed at any time
- Support Button available on home screen only

A screenshot of a tablet interface for 'PEGASUS RECEPTION (TABLET)'. The screen has a dark blue header with the Pegasus logo on the right. Below the header, the word 'Login' is displayed in large white text. There are three input fields: 'Email:' with a white input box, 'Password:' with a white input box, and 'Support ID' with a grey input box containing the number '1095799171'. An orange arrow points from the text in the first bullet point to the 'Support ID' field. In the top right corner of the header, there is a small icon of a tablet with a dropdown arrow.

Optional BAC Devices



- Alcolizer WM4
- LED Screen
- PinPad (not used, not on all models)
- Wall Mounted (WM)
- Made by Alcolizer Company



- AlcoMeasure WM
- Scrolling text display
- Wall Mounted
- Made by Breathalyser Company



Both use Serial Cable
Connection into COM1

